

technical details IC-2

Vorläufiges Datenblatt

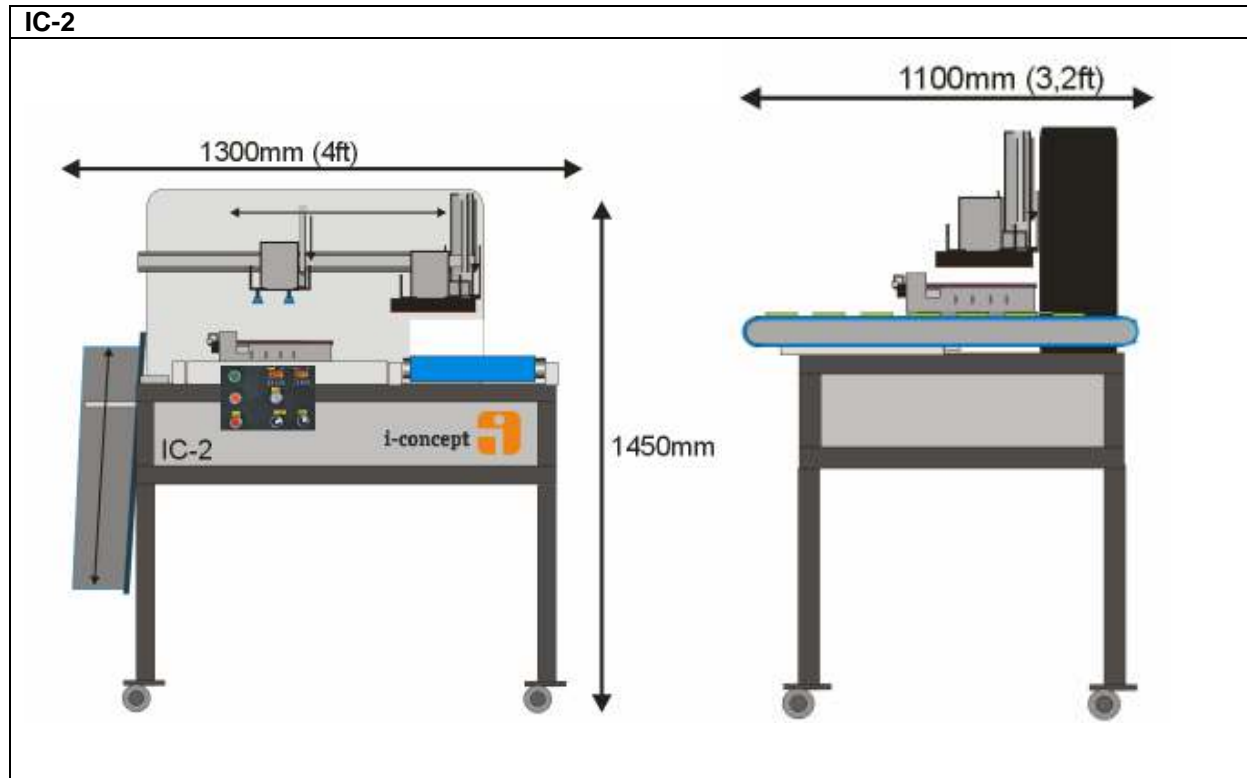


	weight	working length	Netz	Fuse
IC-2	104Kg		210V-230V 50/60Hz 660W	Fuse 5x20 5AT

Europa	
UL-Version USA 110V 50/60 Hz	
SASO middle east	 220 V 13 A

	Basic Version	
heatingbars wattercooed	2x	
Bending length 180mm	2x	
Digital heating time adjustable 0..9 Sek 0,01 Sek steps	1x	
Digital cooling time adjustable 0..9 Sek 0,01 Sek steps	1x	
Distans between Benings 30mm up to 200mm		
sheet counter 1...1000 piec		
Presured air min. 3bar		
Automatic Magazin 530mm (up to 2000 piec)		

Packing 12mm OSB woodbox				
IC-2	Ca. 140kg	1520mm	1200mm	750mm



Format Sheets

230mm 9,1"

90mm 3,5"

60mm 2,3"






160mm 6,2"

A

B

C

	Min	Max
A	15mm 0,59"	200mm 7,87"
B	15mm 0,59"	215mm 8,5"
C	1mm 0,039"	180mm 7,1"

	Min	Max
Material thickness	0,2mm	0,8mm
One bending 	X=15mm 0..180°	X=140mm 0..180°
Two bendings 	X=60mm Y=15 0°..180°	X=140mm Y=100mm 0..180°
Others Figures 		
		
		

Speed:

In the first test, we achieved batches of up to 2000 parts per hour
The focus of the development was reliability