

technikel details IC-1-1300mm, IC-1-2020mm



|                         | weight | Heatinglines | working length  | Netz                          | Fuse            |
|-------------------------|--------|--------------|-----------------|-------------------------------|-----------------|
| <b>IC1-1300</b>         | 54kg   | 4            | 1300mm (4 ft)   | 210V-230V<br>50/60Hz<br>1200W | Fuse 5x20 5AT   |
| <b>IC1-2020</b>         | 68kg   | 4            | 2200mm (6,2 ft) | 210V-230V<br>50/60Hz<br>2580W | Fuse 5x20 6,3AT |
| <b>IC1-1300<br/>MAX</b> | 58kg   | 4            | 1300mm (4 ft)   | 210V-230V<br>50/60Hz<br>1200W | Fuse 5x20 5AT   |
| <b>IC1-2200<br/>MAX</b> | 77kg   | 4            | 2200mm (6,2 ft) | 210V-230V<br>50/60Hz<br>2580W | Fuse 5x20 6,3AT |

|  | IC1-x-1300 | IC1-x-2200 |
|--|------------|------------|
| Detachable end stop from 12 to 300 mm        | x          | x          |
| Digital power display 0..100%                | x          | x          |
| Temperature is infinitely adjustable         | x          | x          |
| Heating wire is adjustable from - 8 to 20 mm | x          | x          |
| User manual                                  | x          | x          |

| material     | bending-temperature | Max thickness | MAX-Version |
|--------------|---------------------|---------------|-------------|
| ABS          | 100°C to 150°C      | 6mm           | 15mm        |
| PC           | 150°C to 210°C      | 5mm           | 12mm        |
| PMMA (Acryl) | 120°C to 170°C      | 6mm           | 15mm        |
| PS           | 100°C to 150°C      | 6mm           | 12mm        |
| PVC-hard     | 110°C to 140°C      | 5mm           | 14mm        |
| PET          | 120°C to 160°C      | 6mm           | 15mm        |

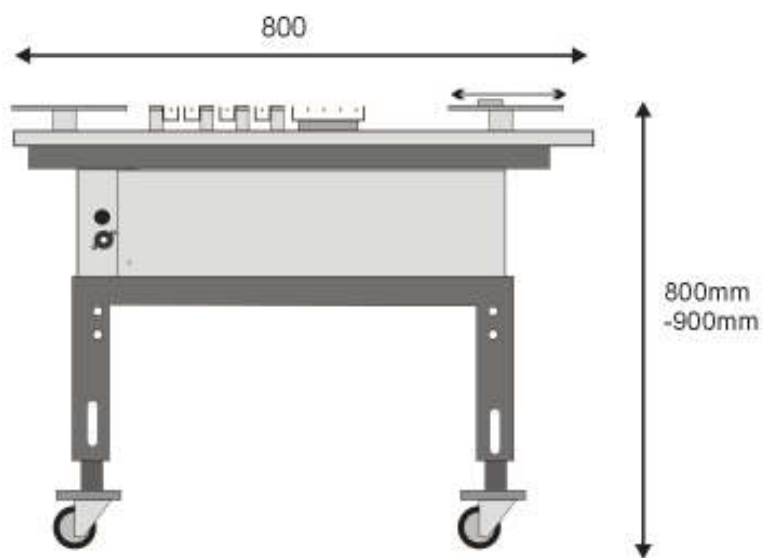
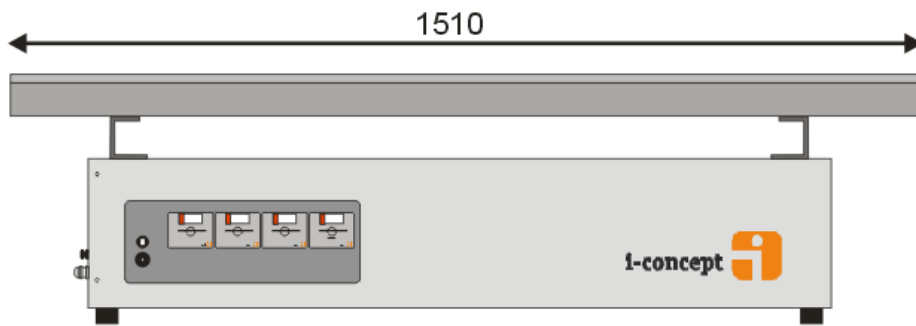
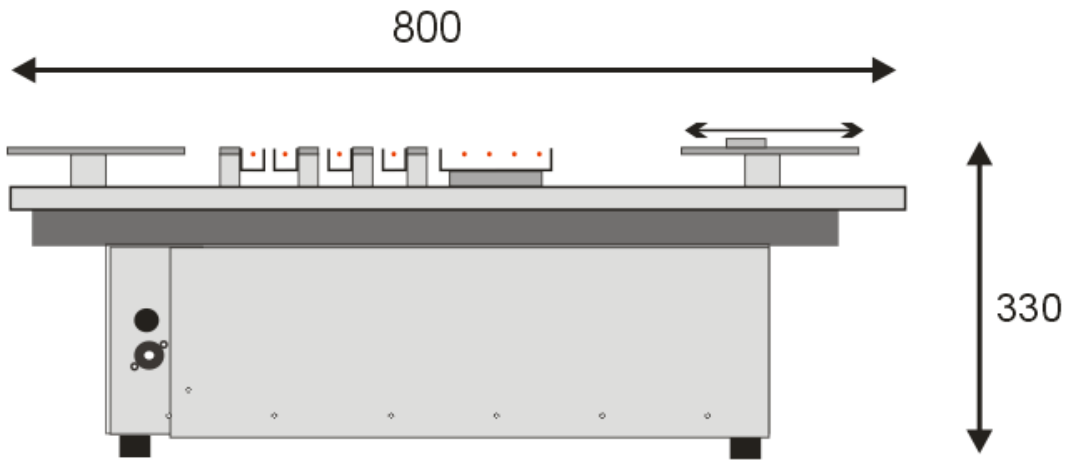
|                                 |  |
|---------------------------------|--|
| Europa                          |                |
| UL-Version USA<br>110V 50/60 Hz |                |
| SASO middle east                |  220 V<br>13 A |

| Packing +12mm Karton |          |        |       |       |
|----------------------|----------|--------|-------|-------|
| IC1-x-1300           | Ca. 60kg | 1524mm | 830mm | 940mm |
| IC1-x-2020           | Ca. 80Kg | 2520mm | 830mm | 940mm |

| Work areal |       |        |
|------------|-------|--------|
| IC1-x-1300 | 820mm | 1300mm |
| IC1-x-2020 | 820mm | 2020mm |

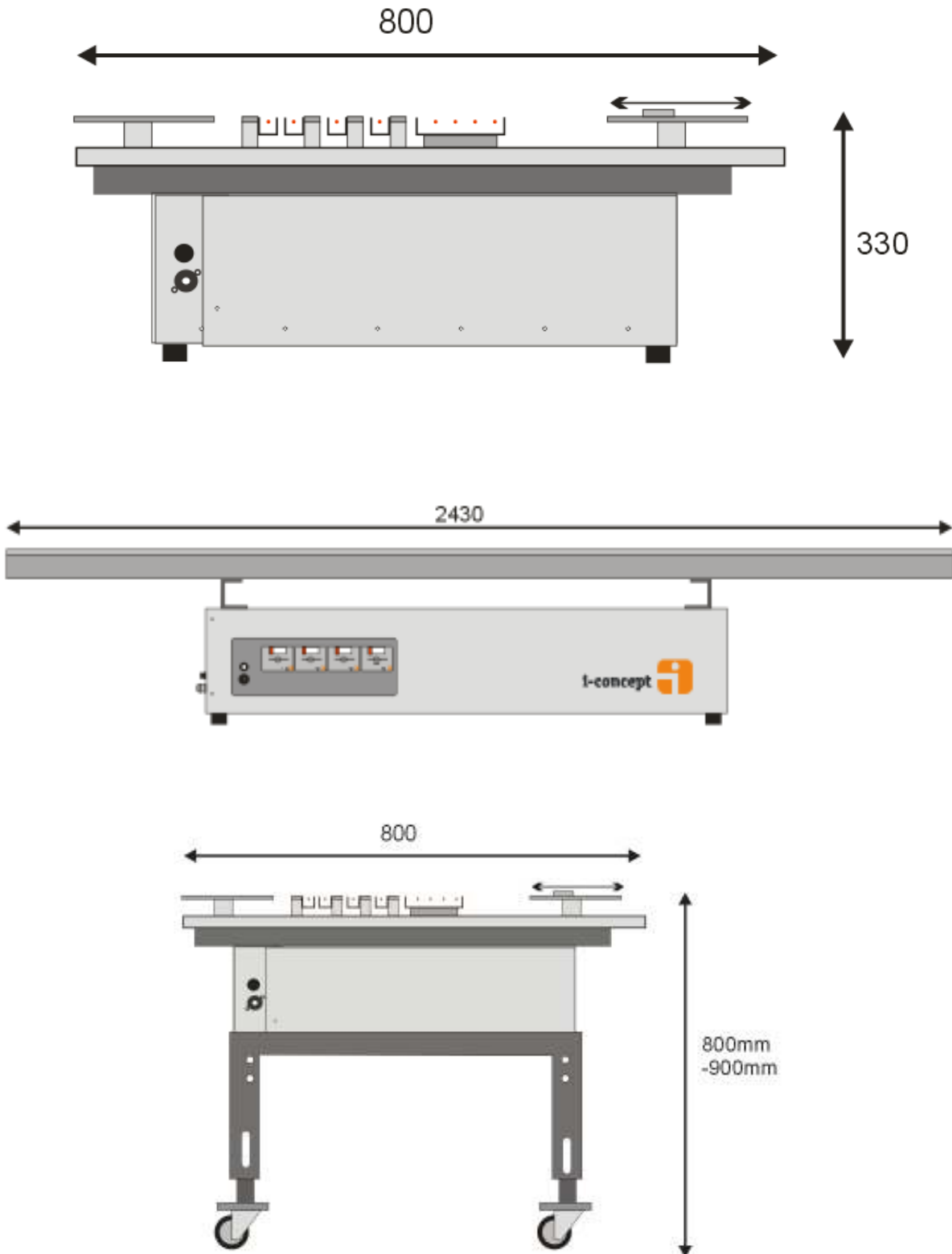
| Distans between bendings |      |       |
|--------------------------|------|-------|
|                          | Min. | Max.  |
| IC1-x-1300               | 18mm | 820mm |
| IC1-x-2020               | 18mm | 820mm |

IC1-1300 (4 ft)



Underframe

IC1—2200 (6,2 ft)



Underframe

IC-1-1300mm (4 ft) **MAX**  
IC-1-2200mm (6,2 ft) **MAX**

IC-1 **MAX**-Version with top- and botom heating, timer with signal.

